

INTERMETAL

OFFICE FURNITURE



CREATING  
EFFICIENT  
WORKSPACES





Intermetal is part of Harwal Group, an intuitive, innovative and agile management holding company with diverse manufacturing companies in the United States, Europe, the Middle East and the former Soviet Union. The technological and manufacturing capabilities of the Group are evident by the wide product range and volumes that are produced by the Group companies. With an annual conversion capacity of over 200,000 metric tons of plastic and 20,000 tons of aluminium and steel, the Group is at the forefront of its respective industries.

Since 1989, Intermetal has been designing and manufacturing resilient office furniture that meets the needs, specifications and budgets of our customers. IM Office offers a full range of ergonomic seating, workstations, desks, storage solutions, conference and meeting room tables.

A highly experienced Design team understands that the way we work is constantly changing and continue to explore new shapes, finishes and manufacturing

methods to create furniture that is easy to assemble, move and evolve with your company. Intermetal supports customers by providing space planning to ensure the furniture inspires your employees, maximizes the office space and that contributes to increased productivity at work.

At Intermetal, we manufacture the furniture we sell and that is important to our customers. Our manufacturing facility, located in Dubai, UAE is equipped with CNC bending & routing machines, robotized welding, powder coating and chrome plating lines, upholstery and includes a state-of-the-art joinery. With the ability to monitor all areas of production, we can guarantee quality and durability.

Intermetal is an ISO and FSC Certified Company and management remains committed to continuously develop and implement sustainable business practices and manufacturing processes that will benefit our future generations.



## CONTENTS

### Collection

RAMO DESKING SYSTEM	Pg. 4 - 9	129, 130, 133
DESKS	Pg. 10 - 33	128 -129
WORKSTATIONS	Pg. 34-47	130 -131
PARTITIONS	Pg. 48 - 51	-
CONFERENCE & TRAINING	Pg. 52 - 63	132 -134
SEATING	Pg. 64 -123	-
STORAGE SOLUTIONS	Pg. 124 -127	134 -135



# RAMO

## Desking System

*Dream + Work = Success*

**RAMO.....WHEN QUALITY IS DEFINED BY FORM AND FUNCTION**

**Inspired by Nature, RAMO is a modern desk series designed by Mattia Michelon**

A unique table system that incorporates a custom designed, high injection, cast aluminium chromized corner that forms part of a larger, multifaceted system. An innovative series of tables that combines quality, craftsmanship and style making it the perfect choice for high performance work areas. RAMO supports office spaces by offering a range of multi-functional and versatile desks, workstations and meeting room tables that have the flexibility to grow and expand with your company. The series includes matching desk extensions, pedestals and credenzas.





# RAMO

Workstations

*Competition makes us faster;  
Collaboration makes us better*





RAMO  
Conference

*All progress takes place  
outside the comfort zone*





IM 48-L

*Simplicity is the ultimate sophistication*



# IM 88-L

*Work hard in silence, let success be the noise*





# IM 98-L

*Nothing worth having comes easy*





**IM 78-L**  
*Lead and Create*



**IM 78**



## IM 58-L

*Work Hard*

*Have Fun*

*Make a Difference*





IM 16-L  
*It works if  
you want it*



IM 03



IM 16



IM 50



IM 68-L  
*Create, Work, Inspire*





## IM 80-L

*It's the will, not the skill*



IM 4752

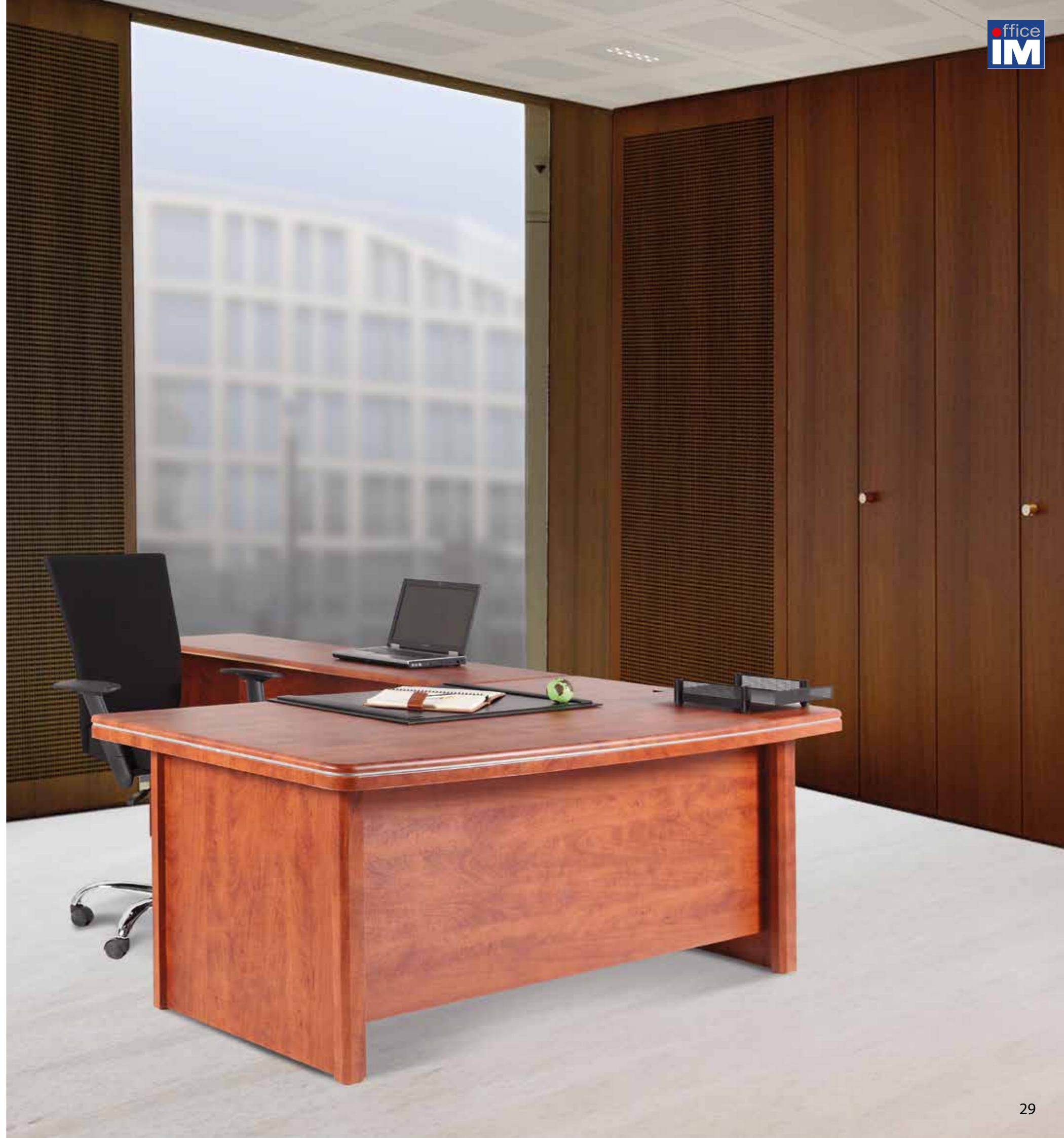
*Don't be busy, be productive*





## IM 4763

*Simplicity is the key to brilliance*





IM 4743

*Quality is doing it right  
when no one is looking*







## Health, Well-Being & Productivity

ELEVATE YOUR  
WORKING EXPERIENCE  
TO NEW HEIGHTS



Specifications: 1200 - 1900 \*680 \*685-1100mm

### Accessories



IM-3DP Pedestal



IM-CP  
CPU Holder



IM-ASP Aluminium Screen Panel  
IM-PH Pen Holder  
IM-PT Paper Tray  
IM-FH File Holder



Modesty Panel



# ELEVATE

## Height Adjustable Tables

Research has shown that employees who adopt a sit/stand approach throughout the day have improved concentration and productivity. Equipped with power, data access and wire management system, **ELEVATE** offers quiet, effortless height adjustment to meet individual working styles throughout the day.





# IM 80WS

*A job worth doing, is worth doing together*





IM 68WS  
*Inspirational Workspaces*





*Collaboration starts at work*

IM 78WS-4



IM 78WS-2



## IM 58WS-2

*If you want to go fast, go alone*

*If you want to go far, go together*



## IM 58WS-4





# IM 72WS

*Impossible means you haven't found the solution yet*





# T<sup>2</sup> Workstation

*Divide the task and multiply the success*



Single WS



Double WS



Supervisor



4 Person WS







Standard Heights: 1050,1200, 1400, 1650, 1800mm  
Standard Widths: 600, 750, 800, 900,1200, 1400mm



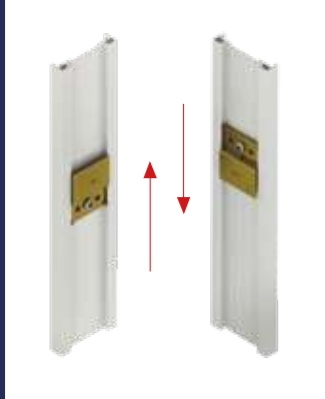
## SNAP 60-30

Partitions

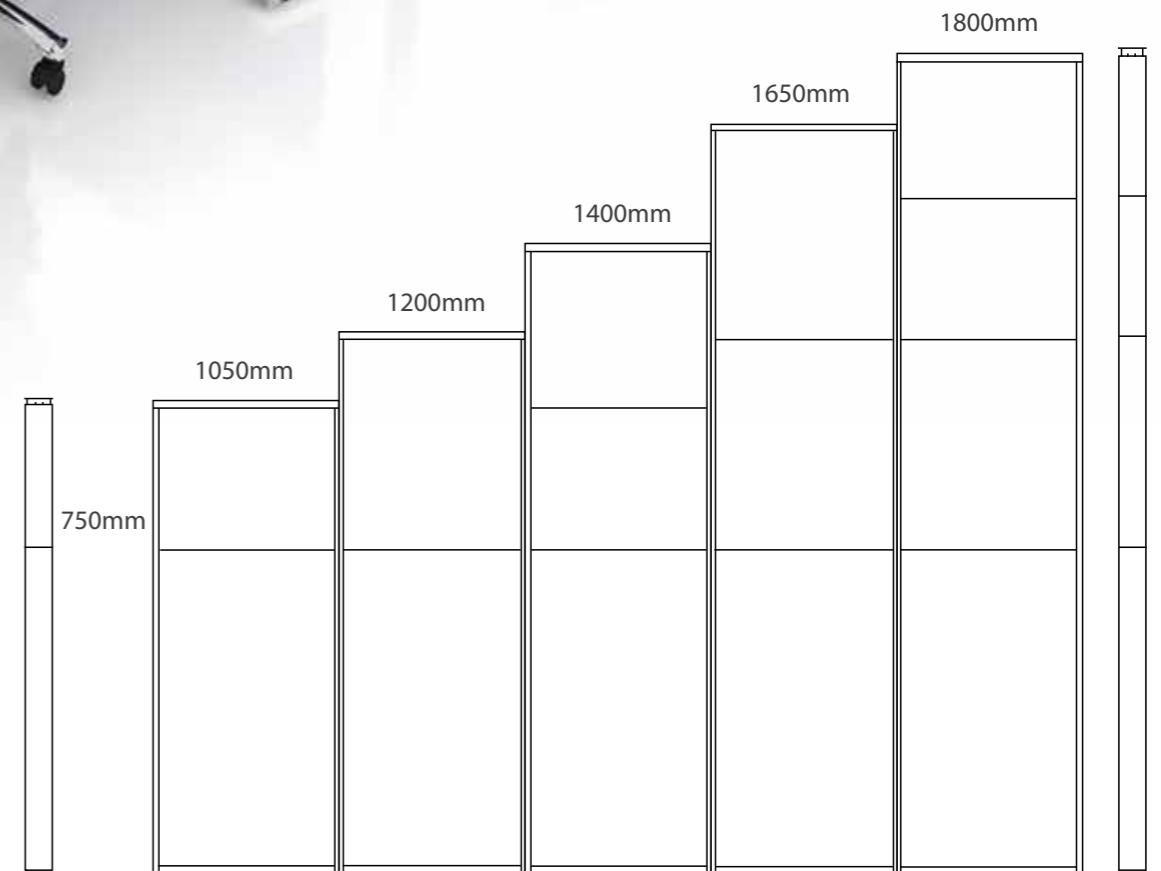
*Work Hard,  
Dream Big*



# SNAP 60-30



Unique Snap Fastener





Connect<sup>2</sup>



IM 58MT

*Together everyone achieves more*



# IM 80MT

*Work hard and be proud of what you achieve*





## IM 68MT

*The Power of Teamwork*



# NTS TABLES

*Quality is the best  
business plan*



NTS 841A



NTS 9816



NTS 902SS



NTS 9808



NTS 9809SP



NTS 9818



NTS 9812





# IM 78FB

*Ability*  
*Motivation*  
*Attitude*



# IM 07-02



IM 199MT

*When "I" is replaced by "We"*



IM 4900

IM 4955

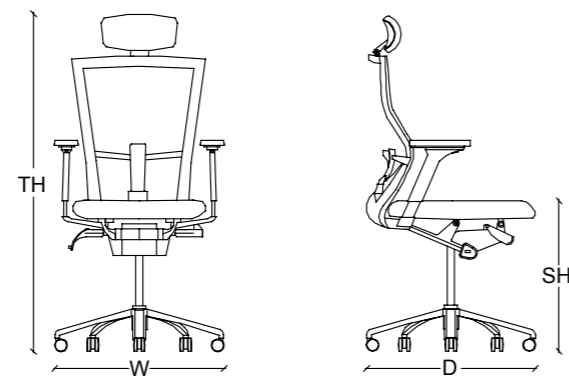




# M1

- Mesh back
- Upholstered seat
- Molded foam seat
- Height adjustable
- Height adjustable armrest with PU top
- Adjustable lumbar support
- Synchronized mechanism with 4 locking positions
- Heavy duty gas lift
- Aluminium base
- Nylon castors

## Guide



\*All dimensions in mm



**M1 HB**  
W: 660  
D: 670  
SH: 440 - 540  
TH: 1105 - 1220



**M1 MB**  
W: 660  
D: 660  
SH: 440 - 540  
TH: 960 - 1060



**M1 V**  
W: 650  
D: 610  
SH: 470  
TH: 970





**IM 2121 HB**  
W: 700  
D: 670  
SH: 490 - 550  
TH: 1185 - 1250



**IM 2121 MB**  
W: 710  
D: 600  
SH: 510 - 570  
TH: 1055 - 1075



**IM 2121 V**  
W: 615  
D: 650  
SH: 460  
TH: 935

## IM 2121

- Upholstered seat and back
- Height adjustable
- 3D armrest
- Synchronized mechanism with 4 locking positions
- Heavy duty chrome gas lift
- Chrome plated steel base
- Nylon castors



## IM 2120

- Fully upholstered in PU
- Height adjustable
- Synchronized mechanism with 4 locking positions
- Cast aluminium fixed armrest with PU padding
- Polished aluminium base
- Nylon castors



**IM 2120 HB**  
W: 660  
D: 660  
SH: 445 - 535  
TH: 1160 - 1250



**IM 2120 MB**  
W: 660  
D: 660  
SH: 435 - 535  
TH: 1020 - 1120



**IM 2120 V**  
W: 580  
D: 700  
SH: 470  
TH: 1050



## IM 2108

- Upholstered seat and back
- Height adjustable
- Padded aluminium armrest
- Knee tilting mechanism
- Heavy duty chrome gas lift
- Chrome plated steel base
- Nylon castors



**IM 2108 HB**  
W: 660  
D: 680  
SH: 515 - 575  
TH: 1190 - 1250



**IM 2108 MB**  
W: 660  
D: 670  
SH: 510 - 575  
TH: 980 - 1045



**IM 2108 V**  
W: 615  
D: 610  
SH: 470  
TH: 970





**IM 4512 HB**  
W: 650  
D: 695  
SH: 480 - 595  
TH: 1120 - 1220



**IM 4512 MB**  
W: 630  
D: 650  
SH: 475 - 595  
TH: 930 - 1060



**IM 4512 V**  
W: 640  
D: 640  
SH: 485  
TH: 960

## IM 4512

- Upholstered seat and back
- Height adjustable
- Fixed PP armrest
- 2 lock tilting mechanism
- Heavy duty gas lift
- Nylon base
- Nylon castors





**X3 HB**  
W: 660  
D: 640  
SH: 425 – 505  
TH: 1120 – 1200



**X3 MB**  
W: 690  
D: 640  
SH: 440 – 545  
TH: 970 – 1075



**X3 V**  
W: 545  
D: 660  
SH: 460  
TH: 960

## X3

- High back chair with headrest
- Mesh back
- Upholstered seat
- Height adjustable
- 3D armrest
- Adjustable lumbar support
- Synchronized mechanism with 4 locking positions
- Aluminium base
- Nylon castors





**Flex MB**  
W: 730  
D: 610  
SH: 435-525  
TH: 920-1010



**Flex V**  
W: 730  
D: 610  
SH: 435  
TH: 920

## FLEX

- Flex back
- Upholstered seat in blue/black
- Height adjustable
- Mesh back
- Fixed PP armrest
- Weight adjustment mechanism with multi-lock positions
- Aluminium base
- Nylon castors

## IM 812

- Mesh back
- Upholstered seat
- Height adjustable
- Fixed PP armrest
- Tilting mechanism
- Heavy duty chrome gas lift
- Chrome plated steel base
- Nylon castors



**IM 812**  
W: 580  
D: 600  
SH: 480-580  
TH: 930 - 1020





**Oama HB**  
W: 750  
D: 650  
SH: 485 – 575  
TH: 1210 – 1300



**Oama MB**  
W: 760  
D: 635  
SH: 465 – 560  
TH: 970 – 1065



**Oama V**  
W: 640  
D: 635  
SH: 500  
TH: 1010

## OAMA

- Upholstered seat and back
- 3D armrest: height adjustable, slides and rotates
- Synchronized mechanism with 4 locking positions
- Lumbar support
- Sliding seat
- Height adjustable
- Heavy duty gas lift
- Polished aluminium base
- Nylon castors



## IF 4320T



**IF 4320T**  
W: 650  
TD: 750  
SH: 460  
TH: 825

- Tilting mesh backrest
- Tip-up upholstered seat
- Flexible writing tablet equipped with APS ( Anti Panic System )
- Cup holder
- Sliding armrest
- Silver coated aluminium frame

## IF 4321T



**IF 4321T**  
W: 660  
TD: 760  
SH: 455  
TH: 815



## IM 210

- Height adjustable mesh back
- Reclinable and height adjustable headrest
- Optional coat hanger only available for high back
- Upholstered seat
- Height adjustable armrest
- Adjustable Lumbar support
- Height adjustable
- Heavy duty gas lift
- Nylon base
- Nylon castors



**IM 210HB**  
W: 620  
D: 700  
SH: 420-560  
TH: 1230-1370



**IM 210MB**  
W: 620  
D: 700  
SH: 420-560  
TH: 1210-1350





## IM 220

- Upholstered seat and back
- 3D armrest: height adjustable, slides and rotates
- Adjustable lumbar support
- Sliding seat
- Height adjustable
- Heavy duty gas lift
- Nylon base
- Nylon castors

### IM 220HB

W: 600  
D: 700  
SH: 450-590  
TH: 1100-1240

### IM 220MB

W: 720  
D: 720  
SH: 460-595  
TH: 960-1100

## IM 230

- Medium back chair
- Mesh back
- Upholstered seat
- 3D armrest: height adjustable, slides and rotates
- Adjustable lumbar support
- Sliding seat
- Height adjustable
- Heavy duty gas lift
- Nylon base
- Nylon castors



### IM 230MB

W: 600  
D: 700  
SH: 430-570  
TH: 930-1070

### IM 230V

W: 660  
D: 620  
SH: 485  
TH: 1000





**IM 6040**  
W: 590  
D: 660  
SH: 480 – 540  
TH: 1090 – 1150



**IM 6050**  
W: 590  
D: 660  
SH: 450 – 520  
TH: 900 – 970



**IM 6060**  
W: 590  
D: 600  
SH: 470  
TH: 910

## IM 60 Series

- Slim PU upholstery
- Height adjustable
- Contemporary design
- Knee tilting mechanism with 4 locking positions
- Aluminium chrome plated armrest
- Polished aluminium base
- Steel chrome plated frame
- Nylon castors







**Slim HB**  
W: 590  
D: 660  
SH: 480 – 540  
TH: 1090 – 1150

**Slim MB**  
W: 590  
D: 660  
SH: 450 – 520  
TH: 900 – 970

**Slim V**  
W: 590  
D: 600  
SH: 470  
TH: 910

## Slim

- Slim Mesh seat and back
- Height adjustable
- Contemporary design
- Knee tilting mechanism with 4 locking positions
- Aluminium chrome plated armrest
- Polished aluminium base
- Steel chrome plated frame
- Nylon castors





## SUNNY

- Ergonomic
- Mesh back
- Upholstered seat in fabric or PU
- Adjustable lumbar support
- Height adjustable
- Synchronized mechanism with 4 locking positions
- Height adjustable PP armrest
- Chrome plated base
- Nylon castors



**Sunny MB-E**

W: 715  
D: 715  
SH: 740 - 995  
TH: 1270 - 1520



**Sunny HB**

W: 660  
D: 640  
SH: 480 - 560  
TH: 1220 - 1300



**Sunny MB**

W: 660  
D: 640  
SH: 510 - 560  
TH: 1060 - 1110



**Sunny V**

W: 620  
D: 590  
SH: 450  
TH: 1000





**IM 519 HB**  
W: 630  
D: 670  
SH: 460 - 520  
TH: 1200 - 1260



**IM 519 MB**  
W: 630  
D: 670  
SH: 460 - 520  
TH: 1070 - 1130



**IM 519 V**  
W: 630  
D: 610  
SH: 440 - 580  
TH: 1030 - 1170

## IM 519

- Upholstered in PU
- Chrome plated upholstered armrest
- High density foam
- Height adjustable
- Multi-function mechanism with 5 locking positions
- Polished aluminium base
- PU castors





## IM 520

- Upholstered in PU
- Aluminium armrest
- High density foam
- Height adjustable
- Heavy duty mechanism with 5 locking positions
- Polished aluminium base
- PU castors



**IM 520 HB**  
W: 660  
D: 660  
SH: 480 - 560  
TH: 1200 - 1280

**IM 520 MB**  
W: 660  
D: 660  
SH: 480 - 560  
TH: 1102 - 1110

**IM 520 V**  
W: 590  
D: 640  
SH: 455  
TH: 1000





**IM 518 HB**  
W: 660  
D: 660  
SH: 450 - 510  
TH: 1160 - 1220

**IM 518 MB**  
W: 660  
D: 660  
SH: 450 - 510  
TH: 1030 - 1090

**IM 518 V**  
W: 590  
D: 620  
SH: 450  
TH: 1030

## IM 518

- Upholstered in PU
- Height adjustable armrest
- High density foam
- Height adjustable
- Synchronized mechanism with 5 locking positions
- Polished aluminium base
- PU castors







## SENATOR

- Ergonomic
- Mesh seat and back
- Adjustable lumbar support
- Height adjustable
- Fully dynamic mechanism with armrest control
- Sliding seat
- Cast aluminium structure in a polished finish
- Height adjustable PP armrest
- Polished aluminium base
- Nylon castors



**Senator HB**  
W: 660  
D: 770  
SH: 515 - 575  
TH: 1220 - 1280

**Senator MB**  
W: 660  
D: 670  
SH: 500 - 560  
TH: 1040 - 1100



# MASTER

- Ergonomic
- Fully upholstered in genuine leather
- Adjustable headrest
- Adjustable lumbar support
- 3D PU armrest: height adjustable, slides and rotates
- Synchronized mechanism with 4 locking positions
- Height adjustable
- Polished aluminium base
- Nylon castors



**Master HB**  
W: 650  
D: 680  
SH: 360 - 470  
TH: 1070 - 1180



**Master MB**  
W: 660  
D: 680  
SH: 355 - 445  
TH: 900 - 990



**Master V**  
W: 550  
D: 640  
SH: 440  
TH: 990





**Radius HB**  
W: 640  
D: 670  
SH: 460 - 570  
TH: 1170 - 1280



**Radius MB**  
W: 640  
D: 670  
SH: 460 - 570  
TH: 1010 - 1120

## RADIUS

- Ergonomic
- Breathable mesh back
- Upholstered seat
- Height adjustable
- 3D armrest: height adjustable, slides and rotates
- Adjustable lumbar support
- Synchronized mechanism with 5 locking positions
- Adjustable sliding seat
- Headrest available
- Seat tilting
- Nylon/Aluminium base
- Nylon castors





## IM 2075

- Fully upholstered in PU
- Height adjustable
- Height adjustable armrest
- Executive high back chair includes padded headrest
- Synchronized mechanism with 4 locking positions
- Polished aluminium base
- Nylon castors



**IM 2075 HB**  
W: 640  
D: 630  
SH: 470 - 560  
TH: 1120 - 1210



**IM 2075 MB**  
W: 640  
D: 620  
SH: 470 - 560  
TH: 990 - 1080



**IM 2075 V**  
W: 580  
D: 680  
SH: 490  
TH: 940



## IM 2103

- Fully upholstered in PU
- Height adjustable
- Chrome plated upholstered arms
- Executive high back chair includes padded headrest
- Synchronized mechanism with 4 locking positions
- Polished aluminium base
- Nylon castors



**IM 2103 HB**  
W: 660  
D: 660  
SH: 500 - 590  
TH: 1180 - 1270



**IM 2103 MB**  
W: 660  
D: 660  
SH: 460 - 520  
TH: 1040 - 1100



**IM 2103 V**  
W: 580  
D: 720  
SH: 500  
TH: 990





**IM 2055 HB**  
W: 660  
D: 680  
SH: 480 - 540  
TH: 1210 - 1270



**IM 2055 MB**  
W: 660  
D: 690  
SH: 510 - 570  
TH: 1020 - 1080



**IM 2055 V**  
W: 640  
D: 660  
SH: 460  
TH: 960

## IM 2055

- Fully upholstered in PU
- Height adjustable
- Fixed aluminium chrome plated armrest
- Knee tilting mechanism with 4 locking positions
- Polished aluminium base
- Nylon castors





## IM 4550

- Fully upholstered in PU
- Fixed PP armrest
- Tilting mechanism with 2 locking positions
- Height adjustable
- Nylon base
- Nylon castors



**IM 4550 HB**  
W: 670  
D: 720  
SH: 440 - 570  
TH: 1120 - 1250



**IM 4550 MB**  
W: 670  
D: 720  
SH: 450 - 570  
TH: 930 - 1050



**IM 4550 V**  
W: 670  
D: 650  
SH: 450  
TH: 940



# EVA

- Height adjustable
- Fixed PP armrest
- Tilting mechanism with 2 locking positions
- Upholstered in fabric or PU
- Nylon base
- Nylon castors



**Eva HB**  
W: 660  
D: 750  
SH: 450 - 560  
TH: 1120 - 1230



**Eva MB**  
W: 660  
D: 720  
SH: 420 - 530  
TH: 940 - 1050



**Eva V**  
W: 660  
D: 680  
SH: 420  
TH: 950





## ORION



**Orion MB**  
W: 600  
D: 700  
SH: 380 - 460  
TH: 870 - 950



**Orion V**  
W: 590  
D: 630  
SH: 460  
TH: 920

- Medium back
- Contoured foam seat and back
- Fixed PP armrest with chrome element
- Tilting mechanism
- Height adjustable
- PP back cover
- Steel chrome plated base
- Nylon castors



**Orion MB-E**  
W: 640  
D: 625  
SH: 620 - 890  
TH: 1070 - 1320

## P39

- Upholstered seat and back
- Height adjustable
- 3D armrest
- Heavy duty gas lift
- 2 lock tilting mechanism
- Nylon base
- Nylon castors



**P39 MB**  
W: 650  
D: 600  
SH: 470 - 585  
TH: 910 - 1020



**P39 V**  
W: 620  
D: 610  
SH: 475  
TH: 930



# E1

- Breathable mesh back
- Upholstered seat
- Ergonomic back support
- Height adjustable
- Fixed PP armrest
- Synchronized mechanism with 5 locking positions
- Nylon base
- Nylon castors



**E1 MB-E**  
W: 720  
D: 720  
SH: 765 - 1010  
TH: 1240 - 1490



**E1 MB**  
W: 640  
D: 660  
SH: 450 - 560  
TH: 940 - 1050



**E1 V**  
W: 630  
D: 600  
SH: 430  
TH: 900





## IM 861

- Mesh back
- Upholstered seat
- Height adjustable
- Lumbar support
- Fixed PP armrest
- Tilting mechanism
- Heavy duty chrome gas lift
- Chrome plated steel base
- Nylon castors



**IM 861**  
W: 610  
D: 600  
SH: 465 - 560  
TH: 950 - 1055

## IM 882

- Mesh back
- Upholstered seat
- Height adjustable
- Fixed PP armrest
- Tilting mechanism
- Heavy duty chrome gas lift
- Chrome plated steel base
- Nylon castors



**IM 882**  
W: 570  
D: 605  
SH: 475 - 570  
TH: 890 - 970





## P24

- Medium back chair
- Height adjustable
- Adjustable back tilt
- Equipped with permanent contact mechanism
- Fixed PP armrest
- PP back cover
- Upholstered in fabric or PU
- Nylon base
- Nylon castors

**P24**  
W: 610  
D: 560  
SH: 420 - 540  
TH: 930 - 1050



## P48

- Medium back chair
- Height adjustable
- Adjustable back tilt
- Equipped with permanent contact mechanism
- Fixed PP armrest
- PP back cover
- Upholstered in fabric or PU
- Nylon base
- Nylon castors



**P48**  
W: 630  
D: 590 - 800  
SH: 460 - 580  
TH: 900 - 1030



**VBE 102**  
W: 610  
D: 640  
SH: 450  
TH: 775

## VBE 102

- Contemporary design
- Fully upholstered in PU
- Chrome plated steel frame
- PU upholstered armrest
- Stackable







IM 3DP

## PEDESTALS



MSR 32



MDP3





SCC3



SCO3



SCC2



SCO2



SCC1

## CABINETS



SCG1





# DESKS



Model	W	L	H
IM 16-L-7514	750	1400	750
IM 16-L-7516	750	1600	750
IM 16-L-7518	800	1800	750



Model	W	L	H
Ramo-8016	800	1600	750
Ramo-9018	900	1800	750



Model	W	L	H
IM 16-7514	750	1400	750
IM 16-7516	750	1600	750
IM 16-7518	800	1800	750



Model	W	L	H
IM 68-L-9018	900	1800	750



Model	W	L	H
IM 03-6012	600	1200	750
IM 03-7514	750	1400	750
IM 03-7516	750	1600	750



Model	W	L	H
IM 80-L-8016	800	1600	750
IM 80-L-9018	900	1800	750
IM 80-L-9020	900	2000	750



Model	W	L	H
IM 50-7515	750	1500	750



Model	W	L	H
IM 48-L-9022	900	2200	750



Model	W	L	H
Elevate	800	1600	650-1250



Model	W	L	H
IM 88-L-8016	800	1600	750
IM 88-L-9018	900	1800	750
IM 88-L-9020	900	2000	750



Model	W	L	H
IM 4752-8016	800	1600	750
IM 4752-9018	900	1800	750
IM 4752-9020	900	2000	750



Model	W	L	H
IM 98-L-8016	800	1600	750
IM 98-L-9018	900	1800	750
IM 98-L-9020	900	2000	750



Model	W	L	H
IM 4763-8016	800	1600	750
IM 4763-9018	900	1800	750
IM 4763-9020	900	2000	750



Model	W	L	H
IM 58-L-8014	800	1400	750
IM 58-L-8016	800	1600	750
IM 58-L-9018	900	1800	750
IM 58-L-9020	900	2000	750



Model	W	L	H
IM 4743-8016	800	1600	750
IM 4743-9018	900	1800	750
IM 4743-9020	900	2000	750



Model	W	L	H
IM 78-L-8016	800	1600	750
IM 78-L-9018	900	1800	750

\*All dimensions in mm



Model	W	L	H
Ramo WS-2	1400	1400	750
	1500	1500	750
Ramo WS-4	1400	2800	750
	1500	3000	750



Model	W	L	H
IM 72WS	2010	1780	1715



Model	W	L	H
IM 58WS-2	1400	1400	750
	1500	1500	750
IM 58WS-4	1400	2800	750
	1500	3000	750

## T<sup>2</sup> Workstation



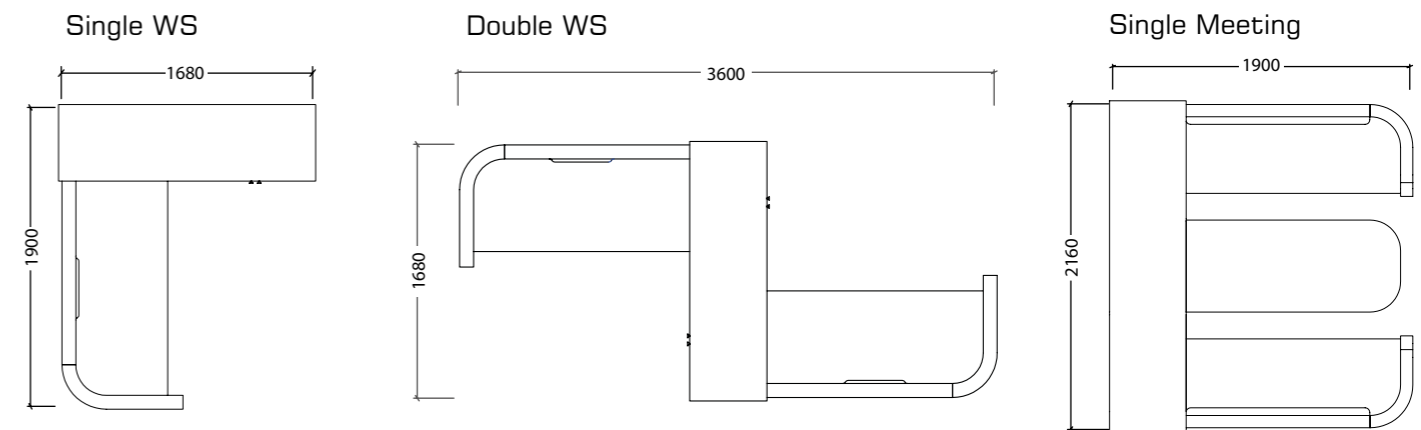
Model	W	L	H
Single WS	1680	1990	1300
Double WS	1680	3480	1300
4 Person WS	3360	3480	1300
Supervisor	2160	3480	1300
Single Meeting	2160	1990	1300
Double Meeting	2110	3480	1300



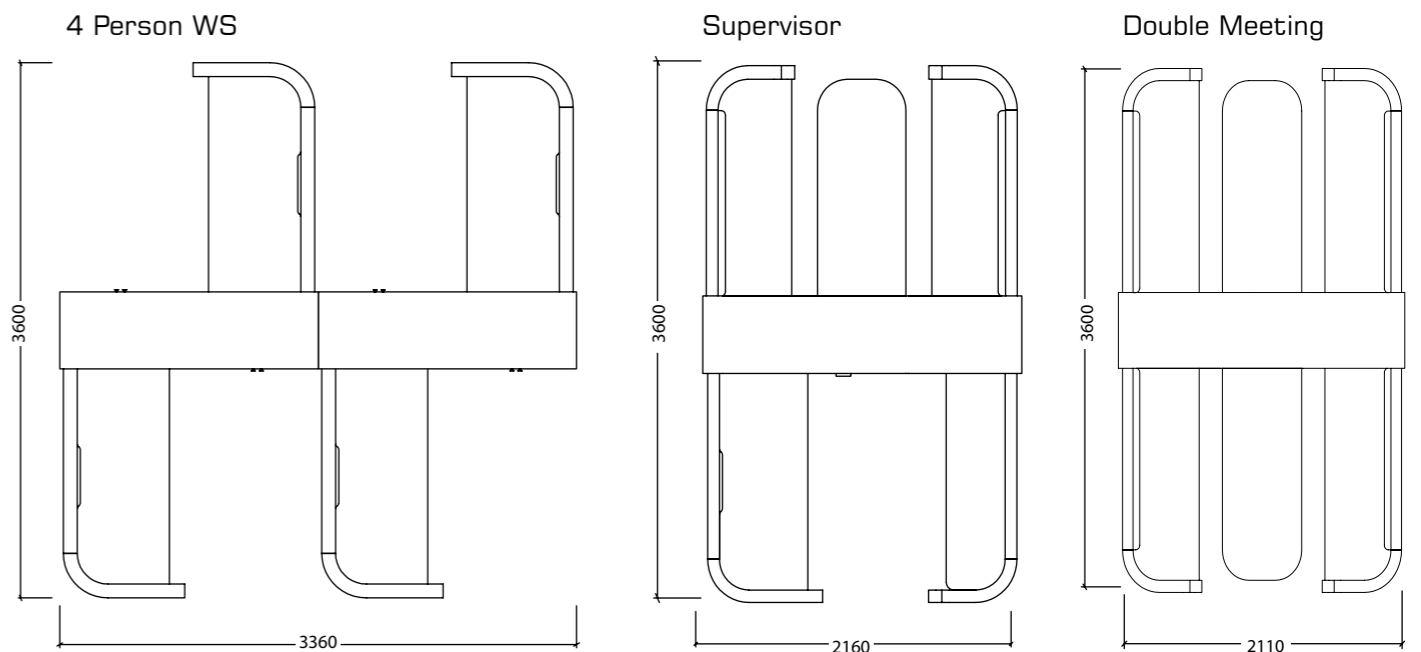
Model	W	L	H
IM 68WS-2	1400	1400	750
	1500	1500	750
IM 68WS-4	1400	2800	750
	1500	3000	750



Model	W	L	H
IM 78WS-2	1400	1400	750
	1500	1500	750
IM 78WS-4	1400	2800	750
	1500	3000	750



Model	W	L	H
IM 80WS-2	1400	1400	750
	1500	1500	750
IM 80WS-4	1400	2800	750
	1500	3000	750



Model	W	L	H
Elevate WS	800	1600	650-1250



# CONFERENCE & TRAINING

Connect<sup>2</sup>



## MODEL TOP DIMENSIONS

### Rectangular

CNR 2	1300 X 450
CNR 10	1500 X 450
CNR 1	1800 X 450
CNR 5	1300 X 600
CNR 11	1500 X 600
CNR 4	1800 X 600
CNR 8	1300 X 750
CNR 12	1500 X 750
CNR 7	1800 X 750

## MODEL TOP DIMENSIONS

### D-Shape

CND 16	900 X 500 (One Leg)
CND 17	1200 X 650 (One Leg)
CND 18	1500 X 800 (Free Standing)

### Quadrant Corner

CNQ 45	450
CNQ 60	600
CNQ 75	750

### Modesty Panel

CNM 105	1050 X 350
CNM 135	1350 X 350
CNM 155	1550 X 350



Model	W	L	H
Ramo MT	1200	2400	750
	1200	3200	750



Model	W	L	H
IM 58MT	1200	1800	750
	1200	2000	750
	1200	2400	750
	1200	3200	750



Model	W	L	H
IM 68MT	1200	1800	750
	1200	2000	750
	1200	2400	750



Model	W	L	H
IM 199MT	1200	1800	750
	1200	2000	750
	1200	2400	750
	1200	3200	750



Model	W	L	H
IM 80MT	1200	1800	750
	1200	2000	750
	1200	2400	750



Model	W	L	H
NTS 9816	1000	1800	750
	1000	2000	750



Model	W	L	H
IM 4955	1200	2400	750



Model	Dia.	H
NTS 9812	600	750
	800	750



Model	W	L	H
IM 4900	1200	3200	750
	1200	4000	750
	1600	4800	750

\*All dimensions in mm



Model	Dia.	H
NTS 902SS	600	1050
	800	
NTS 9808	900	750
NTS 9809SP	600	450
NTS 9818	800	750
	1000	750
NTS 841A	600	1100



(1) (2)

Model	W	D	H
SCHO1	1200	400	830
SCHO2	1600	400	830



Model	W	L	H
IM 78FB	750	1600	750



(1) (2) (3)

Model	W	D	H
SCHC1	1200	400	830
SCHC2	1600	400	830
SCHC3	1200	400	830
SCHC4	1600	400	830
SCHC5	1200	400	830
SCHC6	1600	400	830



Model	W	L	H
IM 07-02	600	1200	750



(4) (5) (6)

## STORAGE SOLUTIONS



Model	W	D	H
IM 3DP	400	550	660



(1) (2) (3)

Model	W	D	H
SCC1	800	400	830
SCC2	800	400	1200
SCC3	800	400	2100



Model	W	D	H
MSR32	400	1200	600



(1) (2) (3)

Model	W	D	H
SCO1	800	400	830
SCO2	800	400	1200
SCO3	800	400	2100



(1) (2) (3)

Model	W	D	H
MDP1	500	400	600
MDP2			
MDP3			



(1) (2) (3)

Model	W	D	H
SCG1	800	400	2100
SCG2	800	400	1200
SCG3	1200	400	2100



(1) (2) (3)

Model	W	D	H
FDP1	400	600	750
FDP2			
FDP3			



