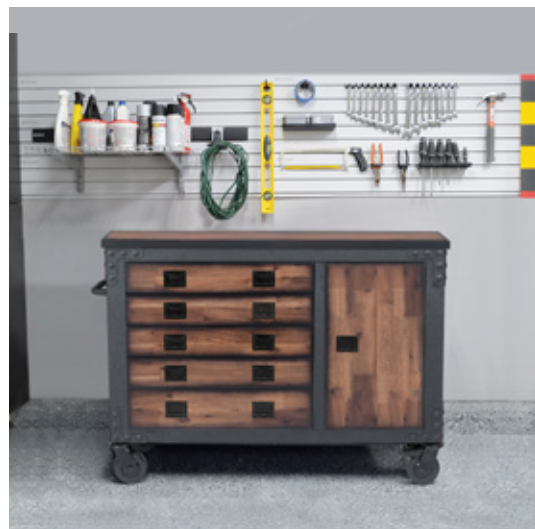
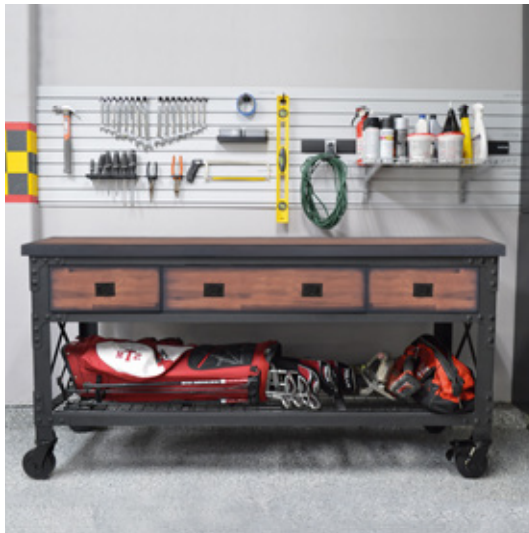




INDUSTRIAL HOME & GARAGE FURNITURE SOLUTIONS



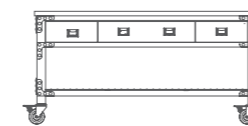
"We Provide the Product - You Provide the Space"

Multi-Purpose Furniture Solutions

Manufactured to stringent quality and commercial standards in our high-tech furniture factory, Intermetal produces a range of flexible and durable furniture that includes industrial workbenches, tool chests and work tables designed to handle everyday use or heavy-duty projects. Built to last, each unit is made from quality steel and powder coated in a black robust, leather-like texture that resists scratches and chipping. The solid wood tops provide ample space to work on and the units are ideal for organizing and storing. Equipped with heavy-duty casters, movement of the units is made easy and stability is guaranteed as each item is equipped with 2 locking casters.

Perfectly packed and easy to assemble makes the entire collection of furniture the ideal choice for **home, office, workshop or garage.**

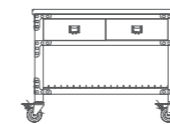
WORKBENCHES



72" Industrial Metal & Wood Workbench

68001

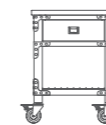
04-05



48" Industrial Metal & Wood Workbench

68002

06-07

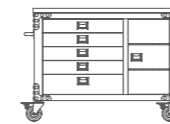


27.6" Industrial Metal & Wood Workbench

68003

08-09

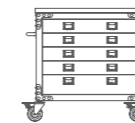
TOOL CHESTS



48" Industrial Metal & Wood Tool Chest

68005

10-11

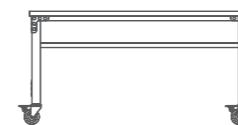


36" Industrial Metal & Wood Tool Chest

68006

12-13

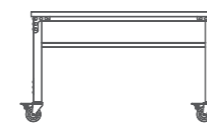
WORK TABLES



72" Industrial Metal & Wood Work Table

68020

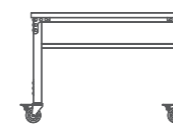
14-15



62" Industrial Metal & Wood Work Table

68021

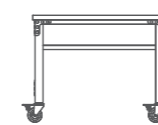
16-17



52" Industrial Metal & Wood Work Table

68022

18-19



46" Industrial Metal & Wood Work Table

68023

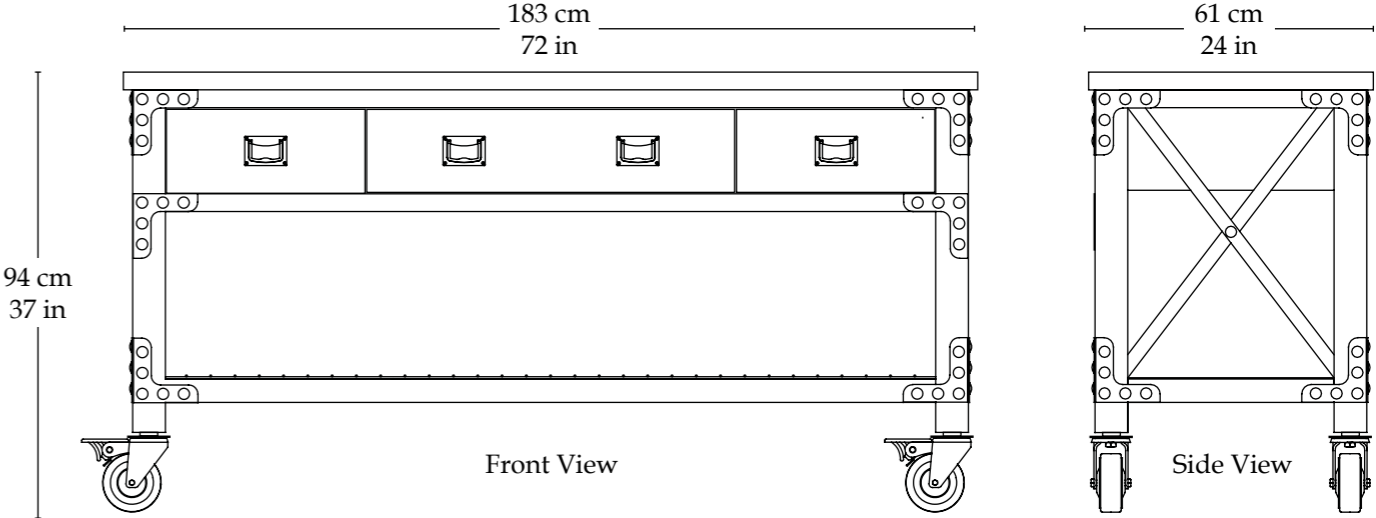
20-21



CLUTTER FREE WORKSPACE



IDEAL FOR ANY LOCATION



FULL EXTENSION DRAWERS



HEAVY-DUTY

FEATURES

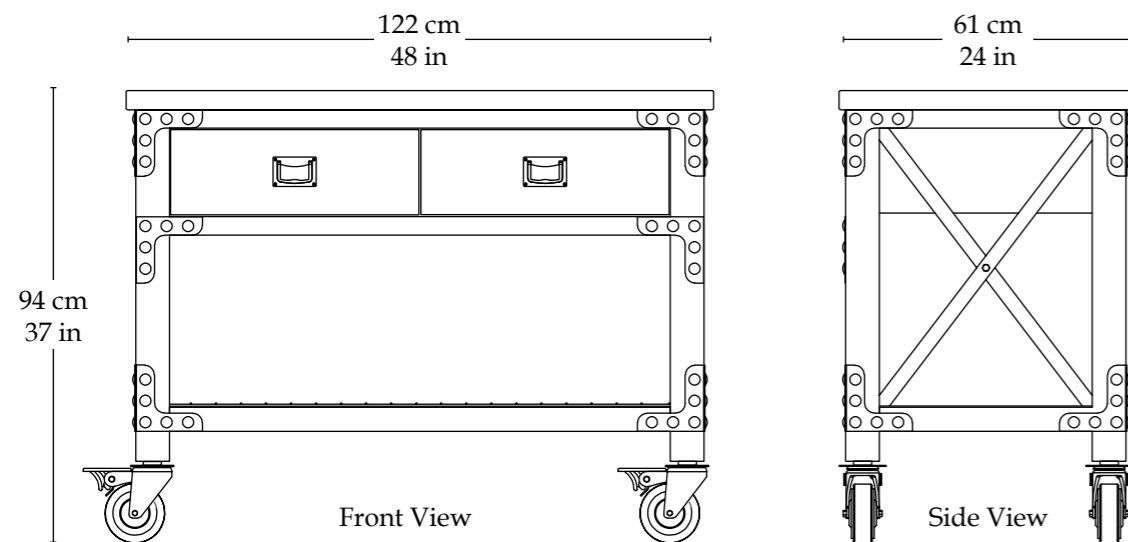
- Top Load Capacity 150 kg / 330 lb
- Rust-Resistant, Powder Coated Steel Frame
- Solid Wood Top & Drawer Fronts
- Metal Drawers Include Liners
- Latch Handles
- 4 Heavy-Duty Casters (2 Locking)
- Welded Wire Shelf



CREATE YOUR ZONE



DESIGNED FOR WORK



SOLID WOOD TOP

FEATURES

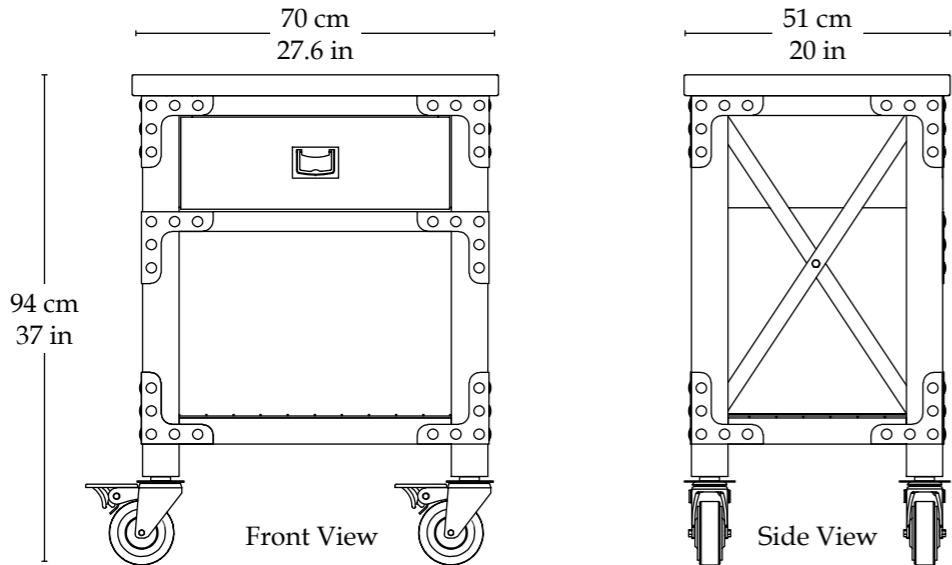
- Top Load Capacity 150 kg / 330 lb
- Rust-Resistant, Powder Coated Steel Frame
- Solid Wood Top & Drawer Fronts
- Metal Drawers Include Liners
- Latch Handles
- 4 Heavy-Duty Casters (2 Locking)
- Welded Wire Shelf



GET ORGANIZED



ANY ROOM IN THE HOUSE



WELDED WIRE SHELF

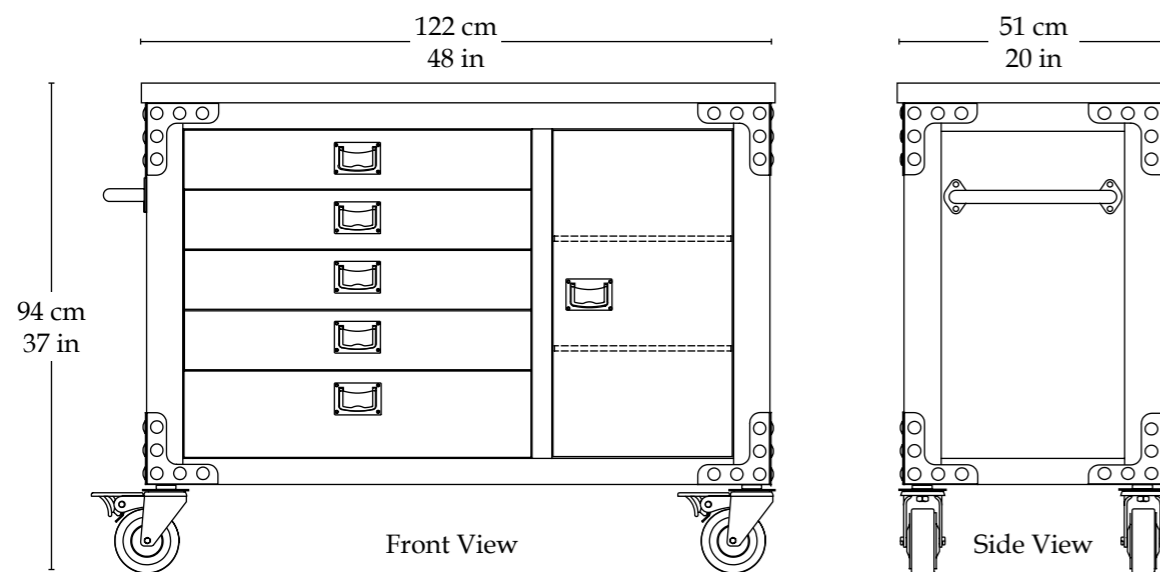
FEATURES

- Top Load Capacity 150 kg / 330 lb
- Rust-Resistant, Powder Coated Steel Frame
- Solid Wood Top & Drawer Front
- Metal Drawer Includes Liner
- Latch Handle
- 4 Heavy-Duty Casters (2 Locking)
- Welded Wire Shelf



FLEXIBLE, FUNCTIONAL & STYLISH

SUPERIOR STORAGE CAPACITY



DECORATIVE SIDE PANEL

FEATURES

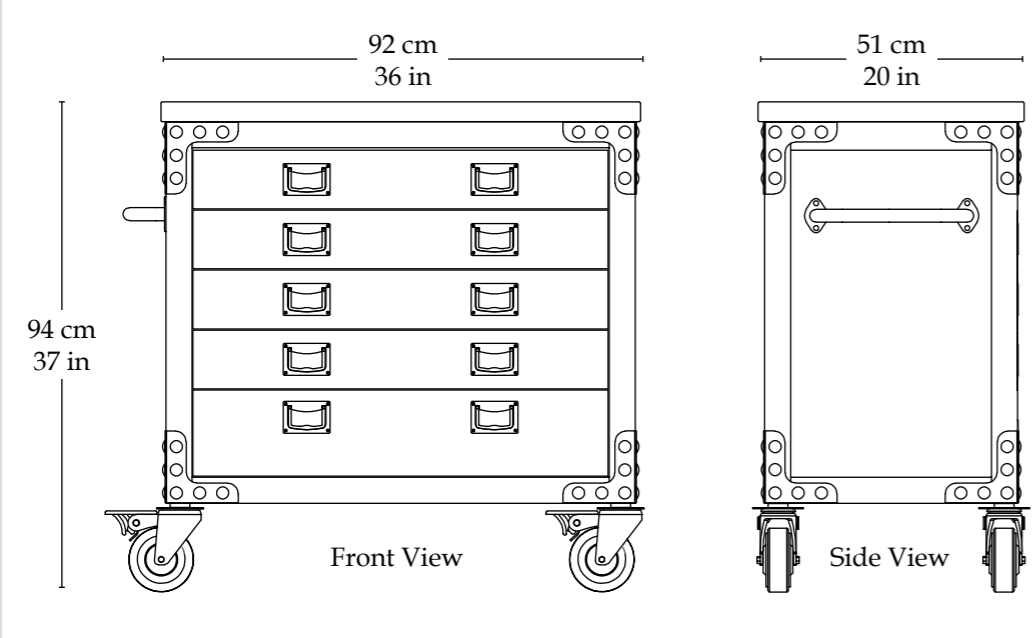
- Powder Coated Steel Frame
- Rust-Resistant
- Solid Wood Top & Drawer Fronts
- 5 Metal Drawers Include Liners
- 1 Cabinet With 2 Shelves
- Latch Handles
- Heavy-Duty Casters (2 Locking)
- Easy to Maneuver
- Equipped with Steel Handle



EMBRACE ORDER



ORGANIZE YOUR SPACE



STEEL HANDLE / LATCH HANDLES

FEATURES

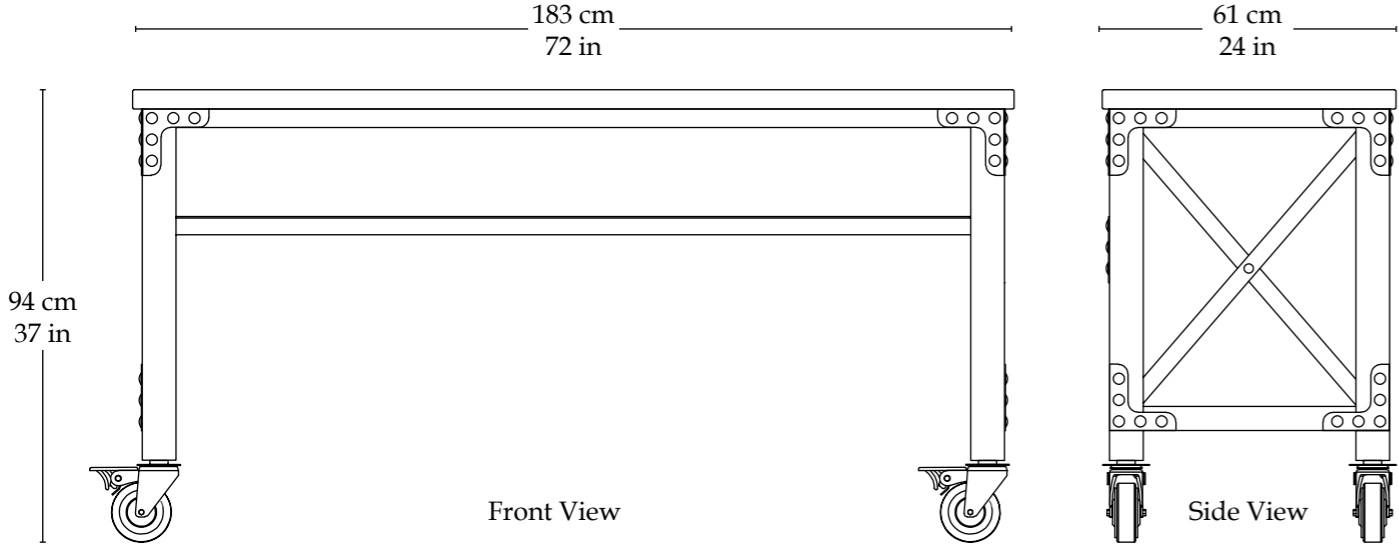
- Powder Coated Steel Frame
- Rust-Resistant
- Solid Wood Top & Drawer Fronts
- 5 Metal Drawers Include Liners
- Latch Handles
- Heavy-Duty Casters (2 Locking)
- Easy to Maneuver
- Equipped with Steel Handle



NATURALLY VERSATILE



WHERE DESIGN MEETS PERFORMANCE



SOLID WOOD TOP

FEATURES

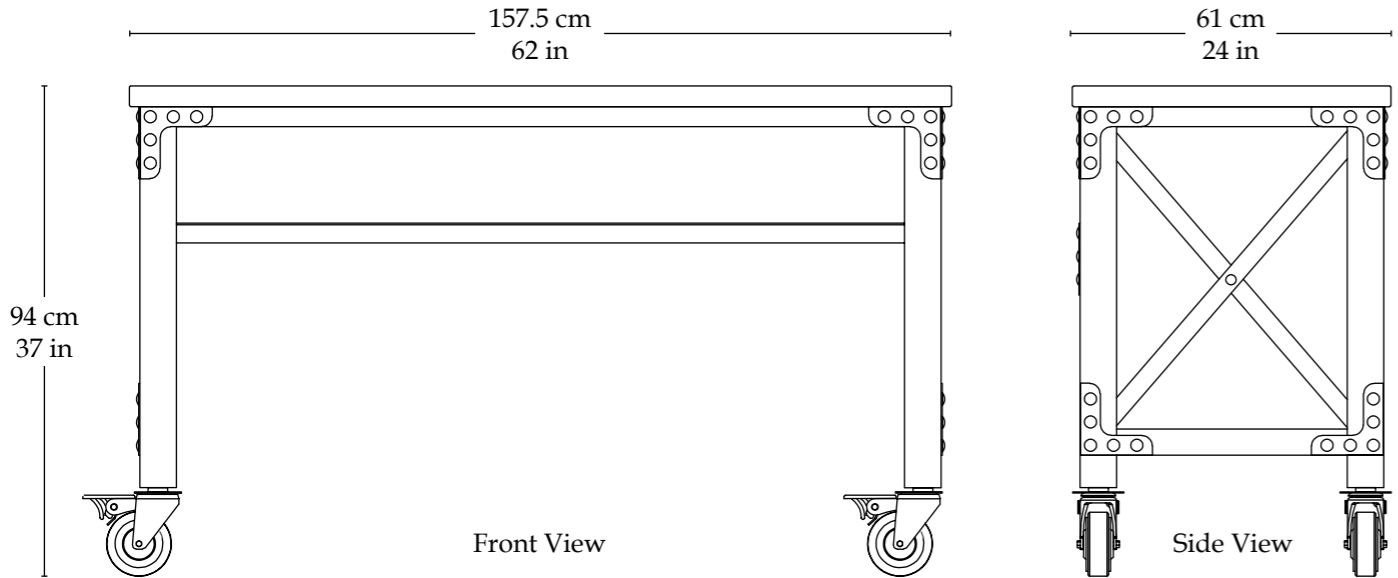
- Solid Wood Top
- Top Load Capacity 150 kg / 330 lb
- Powder Coated Steel Frame, Rust-Resistant
- Multi-Purpose
- 4 Heavy-Duty Casters (2 Locking)
- Easy to Maneuver



SMART WORKSTATION



"INDUSTRIAL REVOLUTION"



HEAVY-DUTY CASTERS

FEATURES

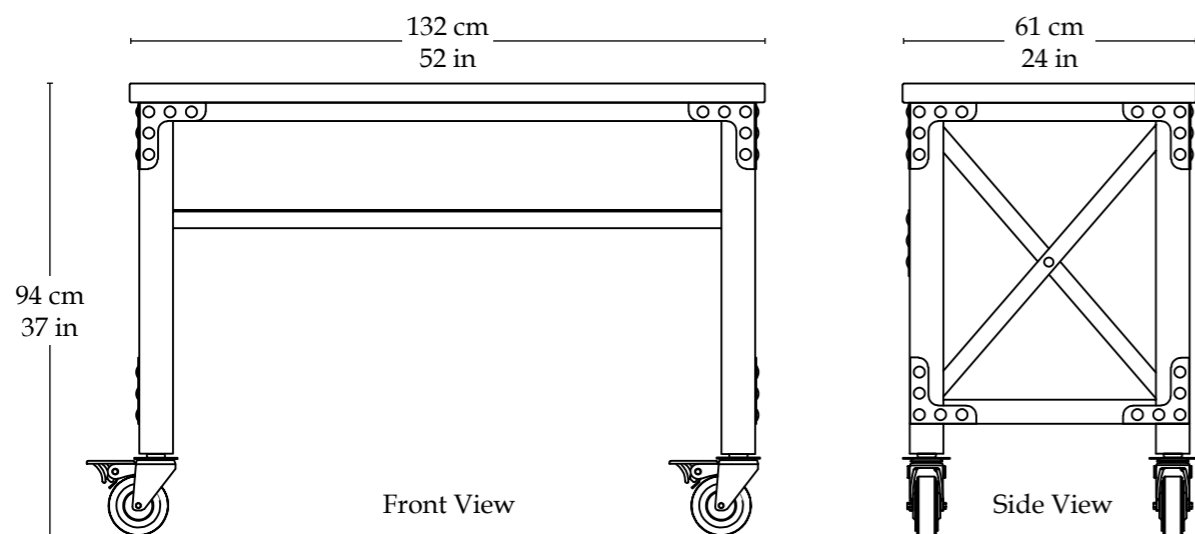
- Solid Wood Top
- Top Load Capacity 150 kg / 330 lb
- Powder Coated Steel Frame, Rust-Resistant
- Multi-Purpose
- 4 Heavy-Duty Casters (2 Locking)
- Easy to Maneuver



DESIGN & FUNCTIONALITY



HOME SWEET HOME



POWDER COATED STEEL FRAME

FEATURES

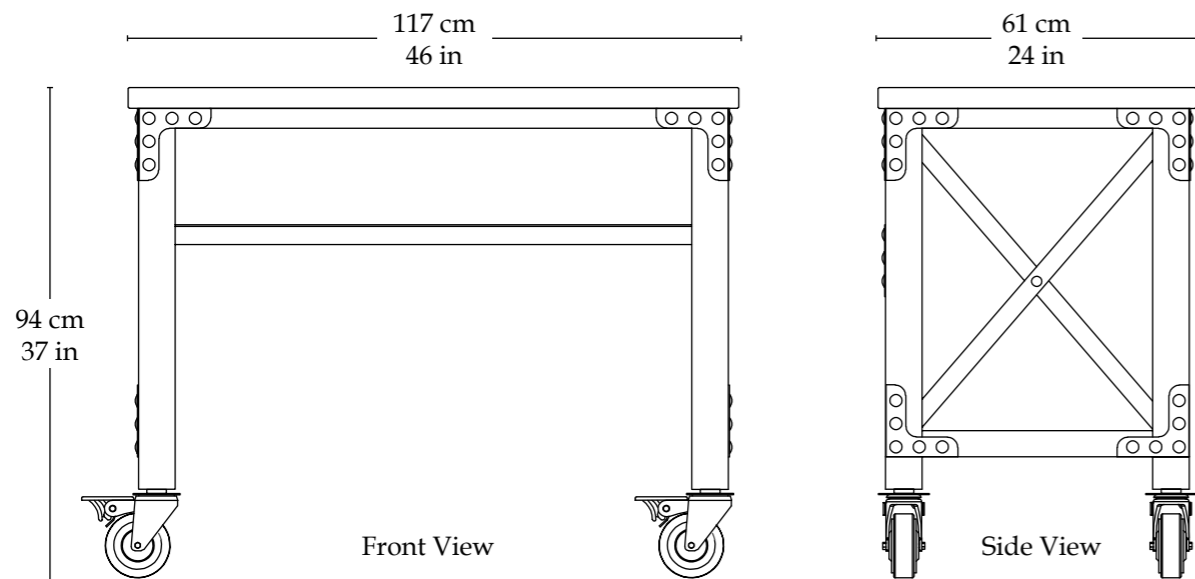
- Solid Wood Top
- Top Load Capacity 150 kg / 330 lb
- Powder Coated Steel Frame, Rust-Resistant
- Multi-Purpose
- 4 Heavy-Duty Casters (2 Locking)
- Easy to Maneuver



ENDLESS POSSIBILITIES



BOLD & BEAUTIFUL



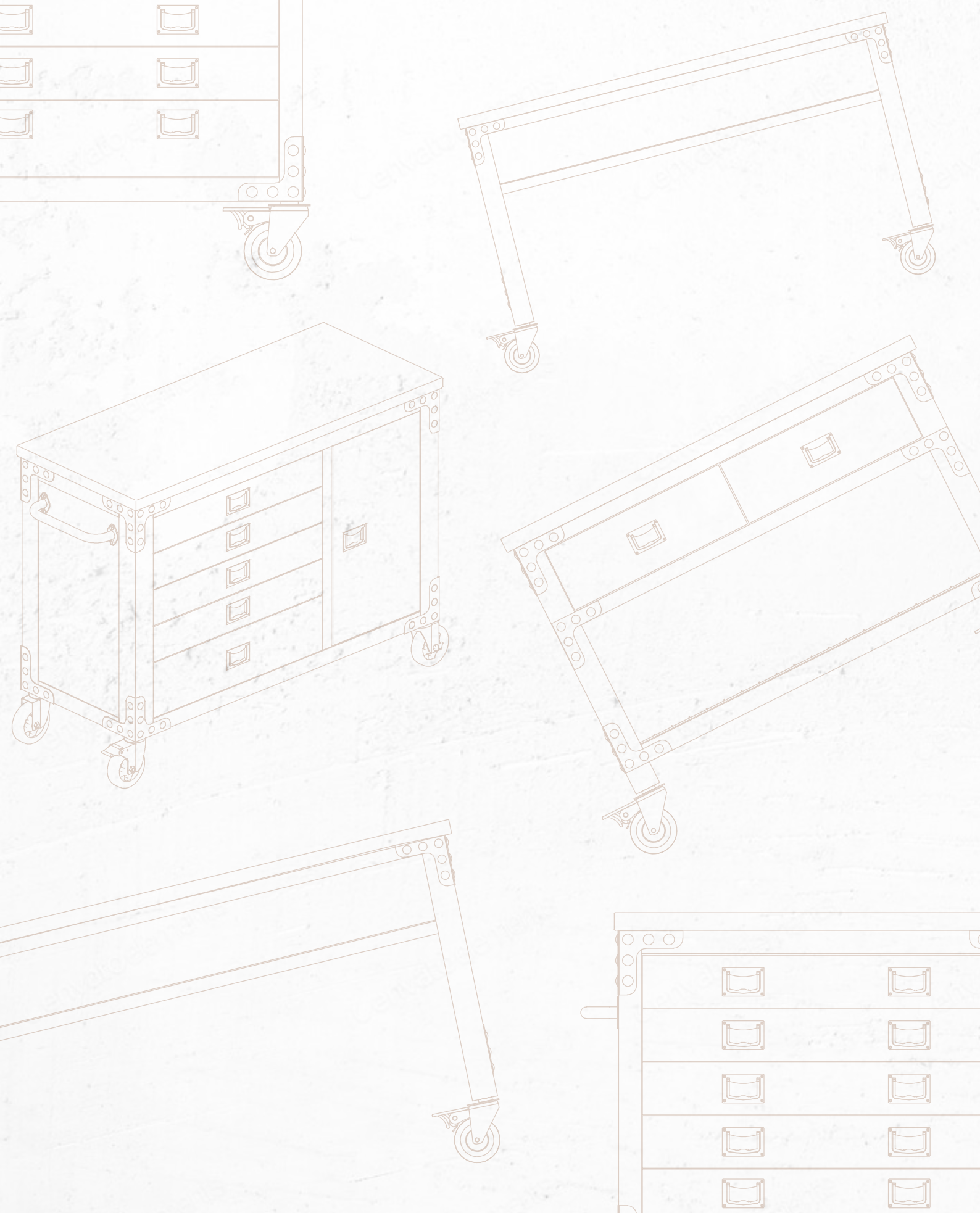
150 KG / 330 LB TOP LOAD CAPACITY



EASY TO MANEUVER

FEATURES

- Solid Wood Top
- Top Load Capacity 150 kg / 330 lb
- Powder Coated Steel Frame, Rust-Resistant
- Multi-Purpose
- 4 Heavy-Duty Casters (2 Locking)
- Easy to Maneuver



Intermetal LLC

P.O. Box 474039 Dubai, UAE
Tel: +971 4 884 1650
E-mail: sales@intermetal.com
www.intermetal.com

